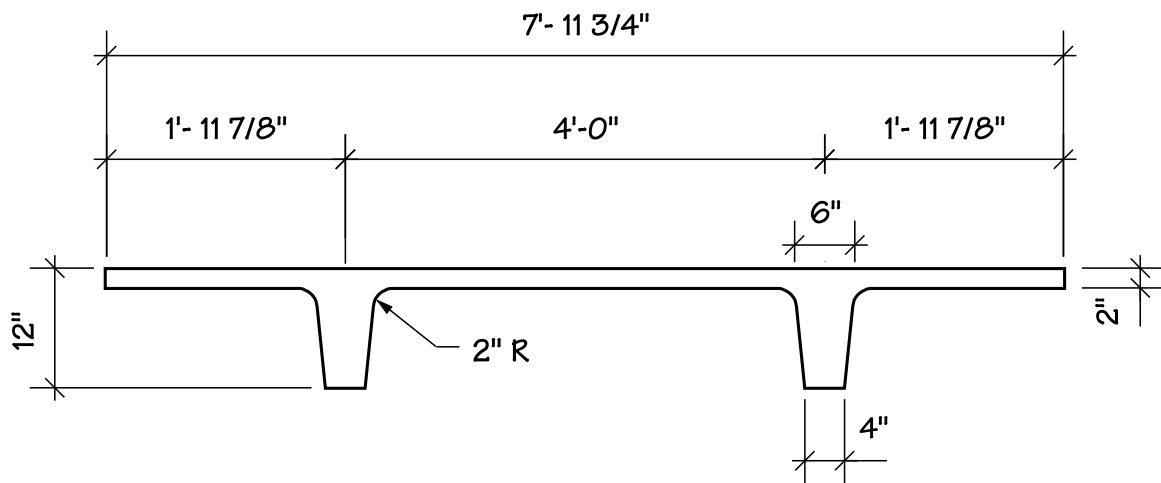


P.O. Box 311 • Newton, KS 67114  
316-283-2277 • 316-283-2321(fax)

## 8'- 0" DOUBLE TEE 12" DEEP



### SECTION PROPERTIES

Wt. = 308 plf  
A = 295 in<sup>2</sup>  
Yt = 2.93 in  
Yb = 9.06 in  
Sb = 331 in<sup>3</sup>  
St = 1,023 in<sup>3</sup>  
I = 2,998 in<sup>4</sup>