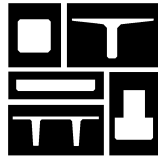
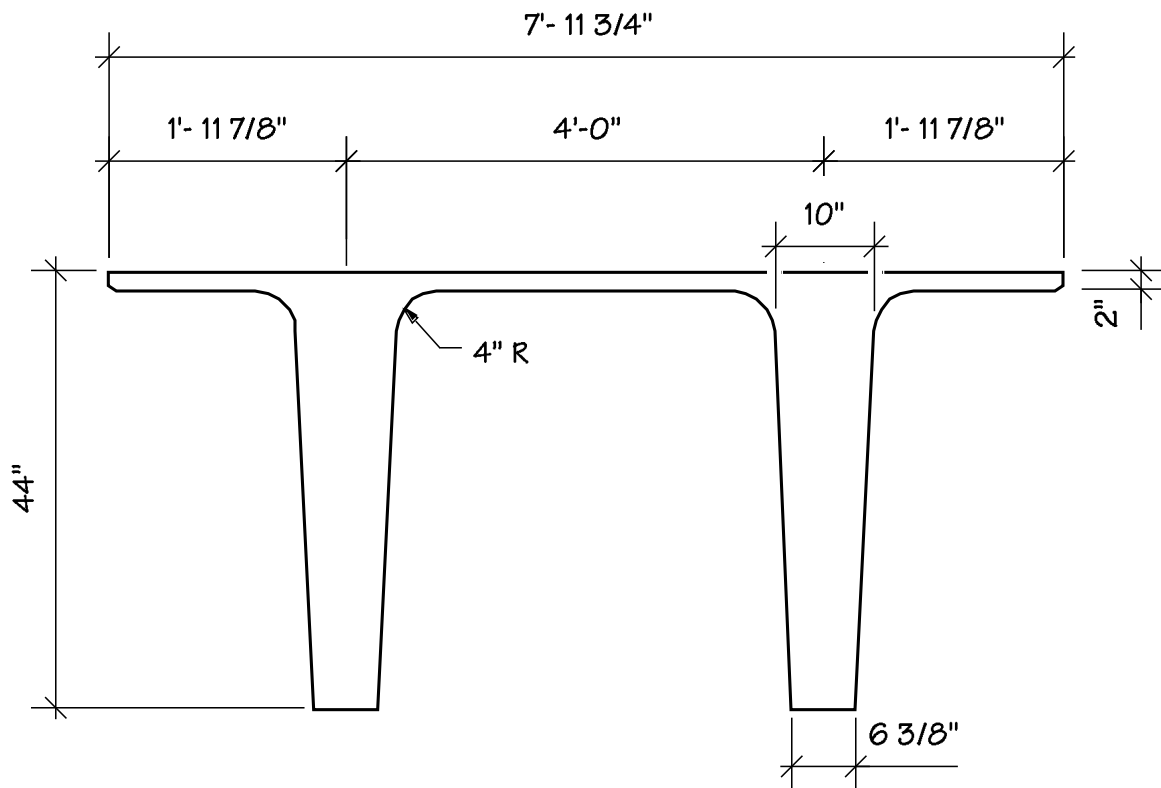


PRESTRESSED CONCRETE, INC.



P.O. Box 311 • Newton, KS 67114
316-283-2277 • 316-283-2321(fax)

8'- 0" DOUBLE TEE
44" DEEP



SECTION PROPERTIES

Wt. = 945 plf (756 plf)
A = 907 in²
Y_t = 16.79 in
Y_b = 27.21 in
S_b = 6,106 in³
S_t = 9,897 in³
I = 166,157 in⁴