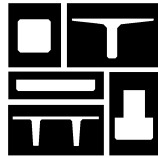
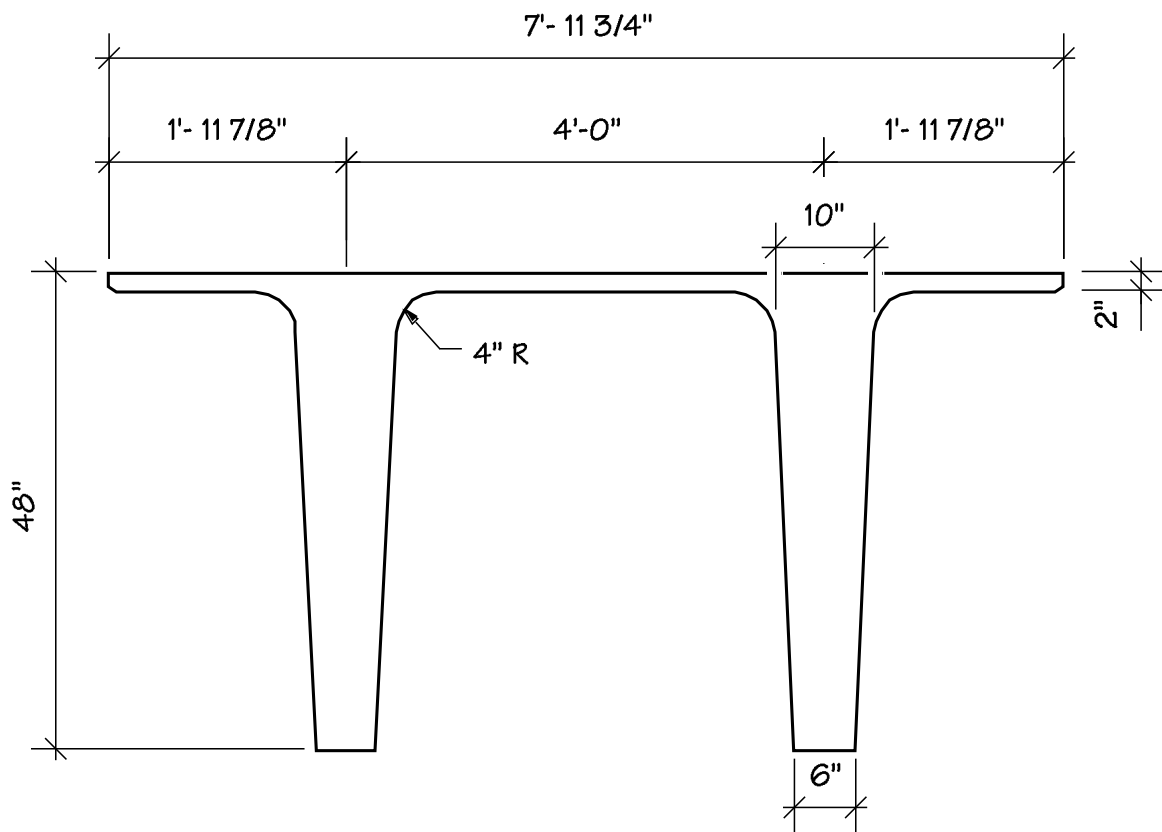


PRESTRESSED CONCRETE, INC.



P.O. Box 311 • Newton, KS 67114
316-283-2277 • 316-283-2321(fax)

8'- 0" DOUBLE TEE
48" DEEP



SECTION PROPERTIES

Wt. = 997 plf (798 plf)
A = 957 in²
Yt = 18.3 in
Yb = 29.7 in
Sb = 6,946 in³
St = 11,272 in³
I = 206,297 in⁴